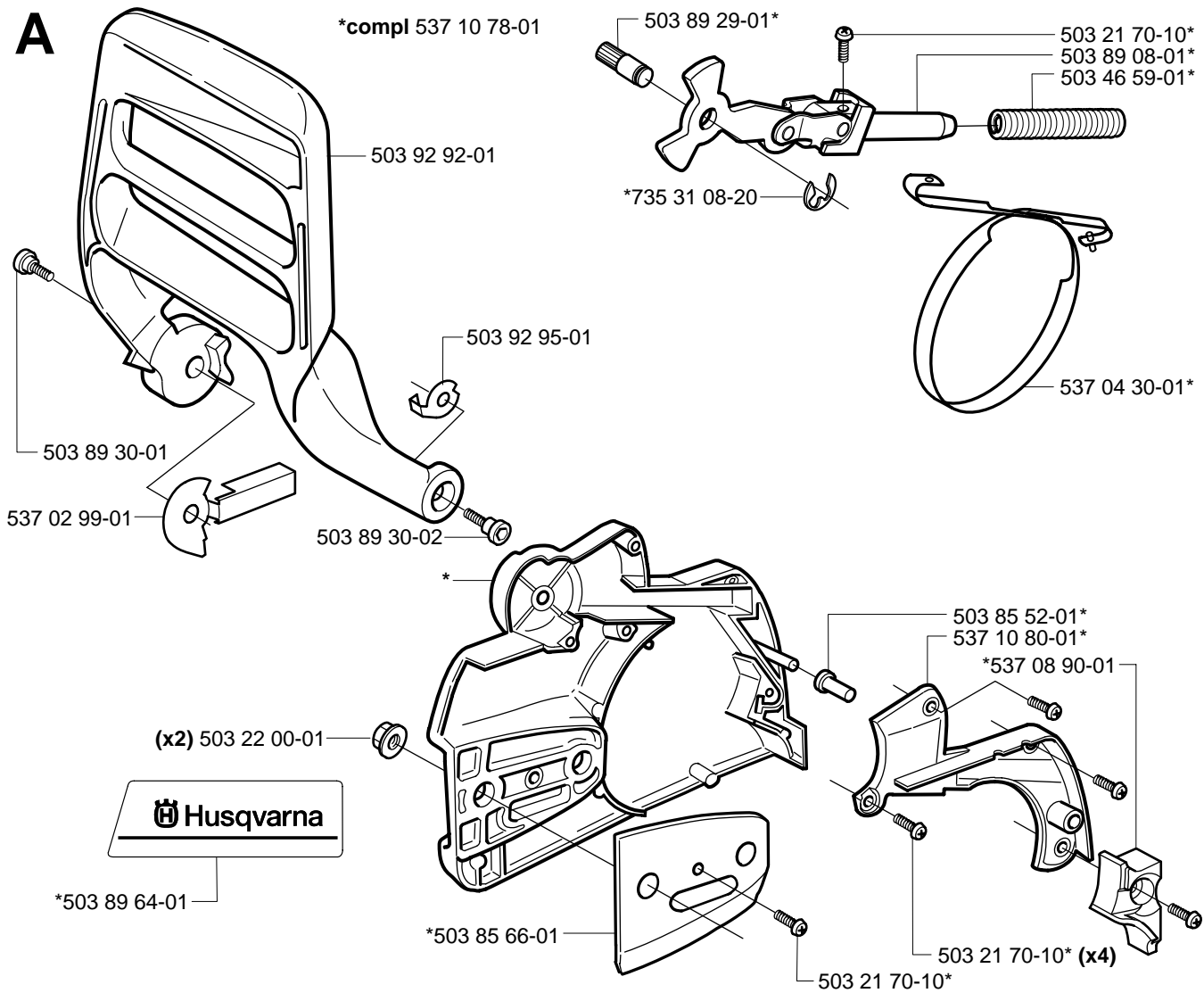
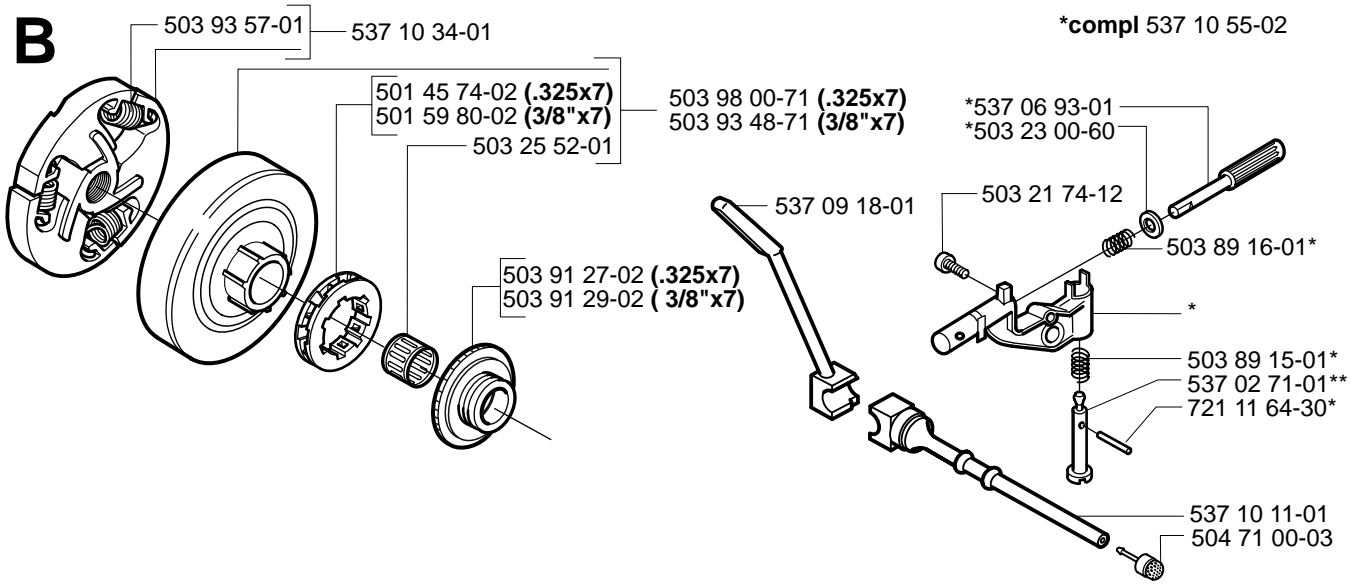


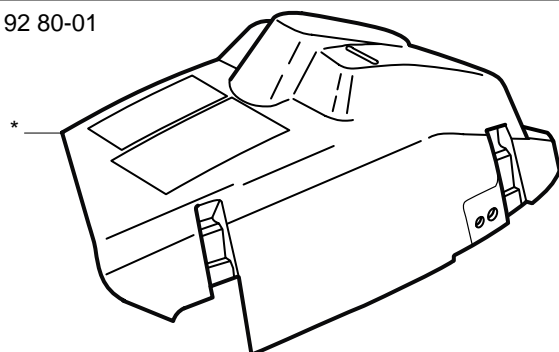
357, 359

357, 359 EPA

Spare parts
Ersatzteile
Pièces détachées
Reserve onderdelen
Repuestos
Reservdelar

A**B****C**

*compl 503 92 80-01



*501 63 97-01

*503 98 74-01



D***compl 503 91 98-71 (357)****RCJ 7Y**

503 23 51-08

(x4) 725 53 33-55

503 71 53-01

503 91 65-01

503 91 66-01 (2)

(2) 503 96 66-01

503 28 90-14

737 43 12-00 (x2)

compl 503 92 04-71*

501 86 18-01*

compl 537 15 73-02 (359)*RCJ 7Y**

503 23 51-08

(x4) 725 53 33-55

503 71 53-01

503 91 65-01

503 91 66-01 (2)

(2) 503 96 66-01

503 28 90-29

737 43 12-00 (x2)

compl 537 15 72-02*

503 25 56-01*

E***compl 503 93 31-71 (357)**

738 22 02-25*

503 97 00-01* (357)

*738 22 02-25

(357) *503 97 00-01**Correction: 503 97 00-02 ***

501 86 18-01*

***compl 537 15 68-01 (359)**

738 22 02-25*

*738 22 02-25

503 25 56-01*

F***compl 503 91 76-01 (EU)******compl 503 91 75-01 (FF)**

725 53 68-55 (x2)

503 20 02-10 (x2)

503 91 74-01

503 21 75-20

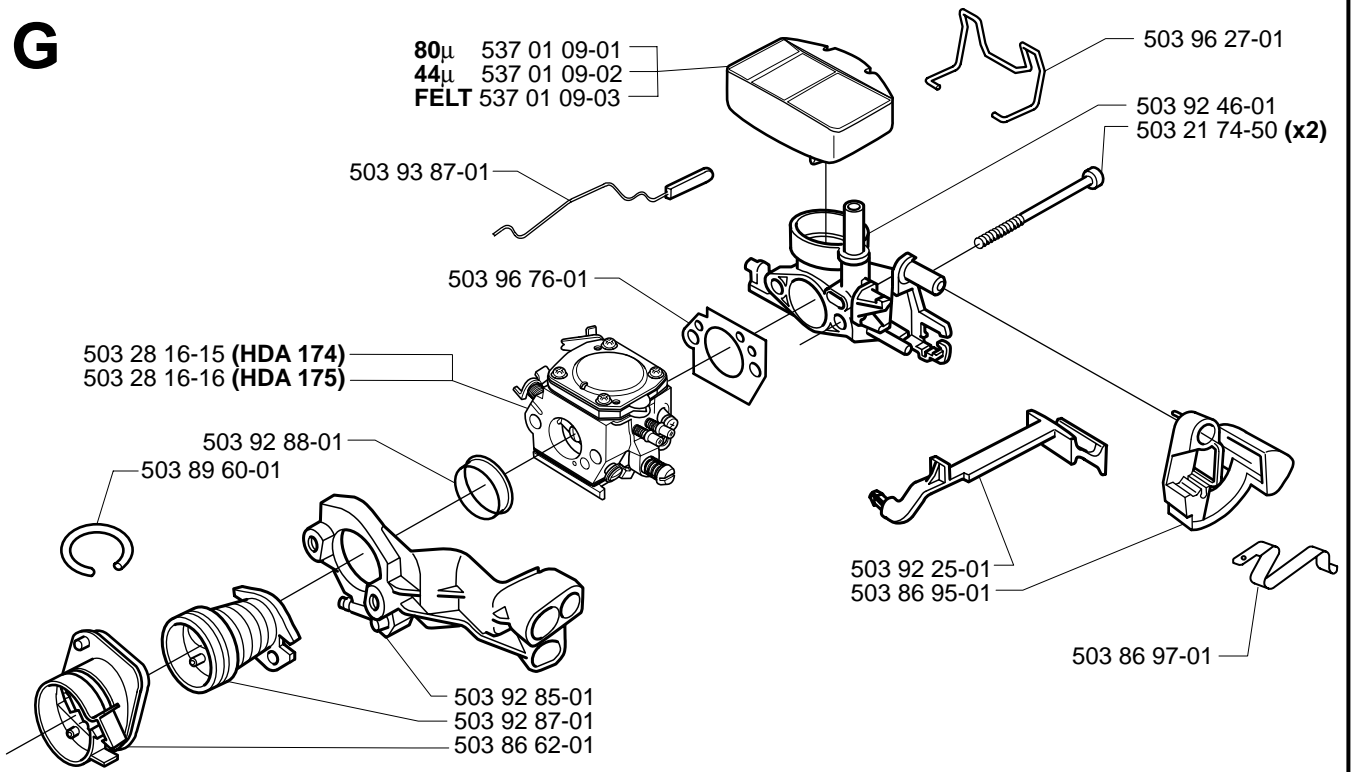
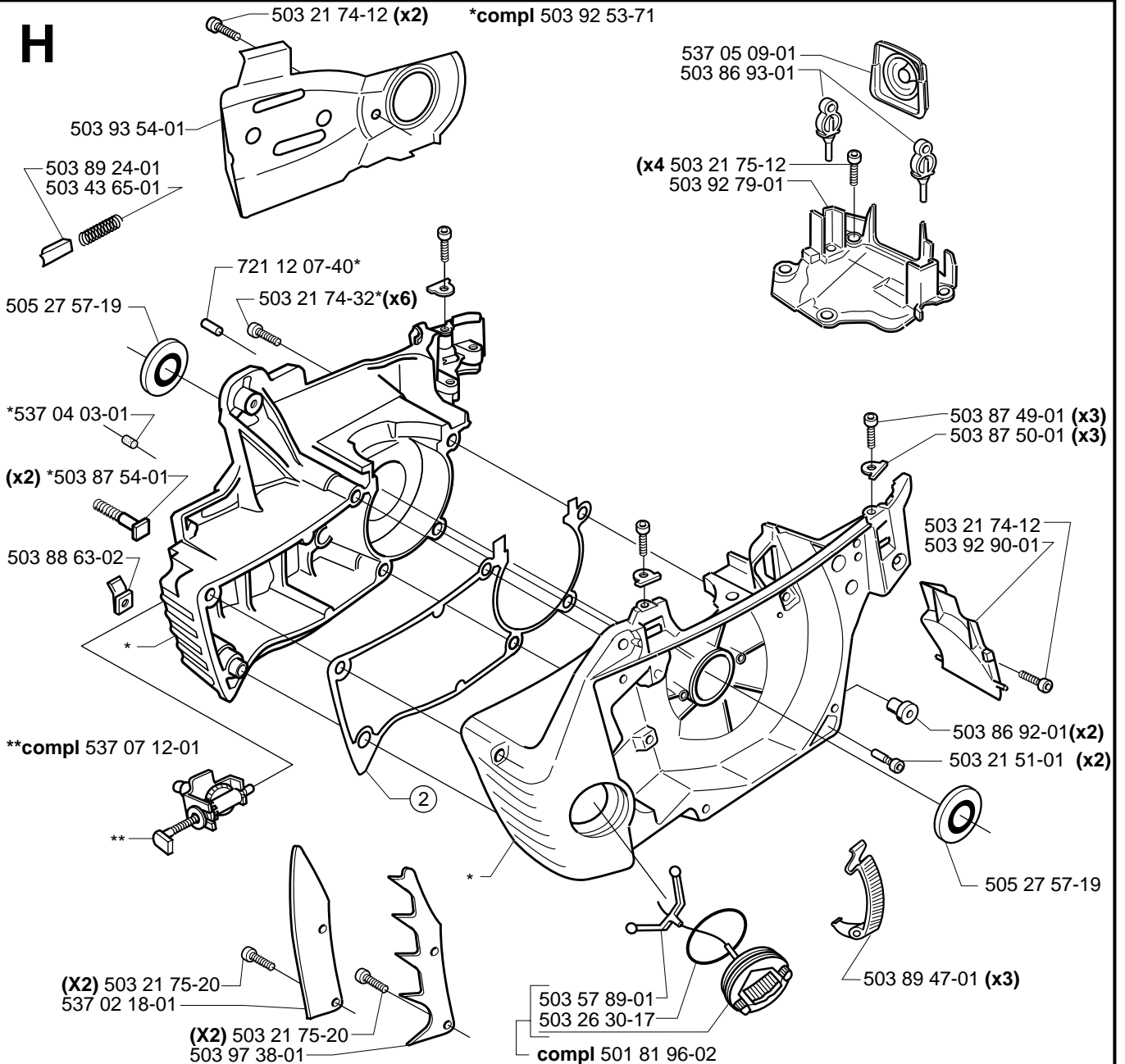
****724 12 87-59******503 86 36-01**

725 53 68-55 (x2)

503 20 02-10 (x2)

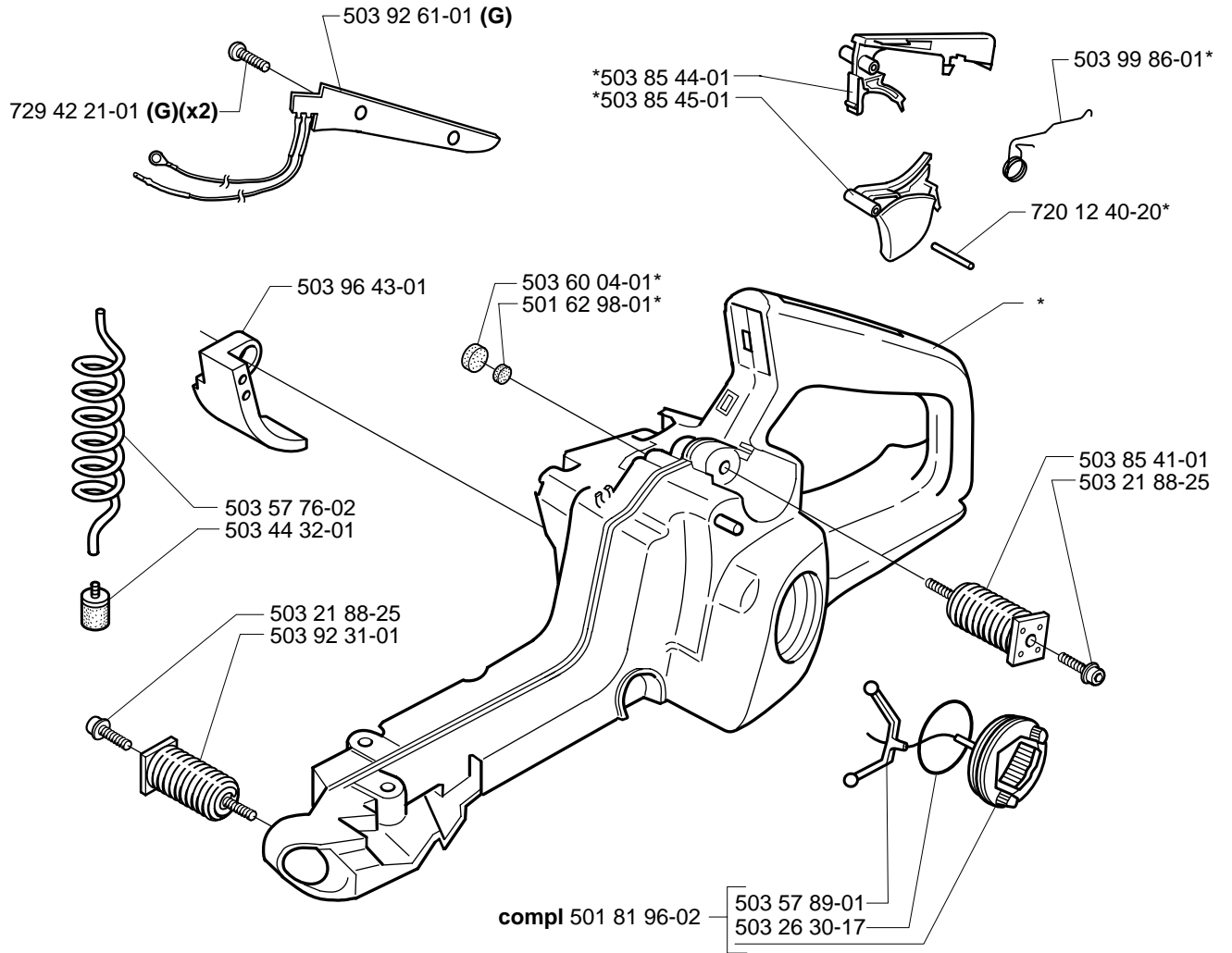
503 91 74-01

503 21 75-20

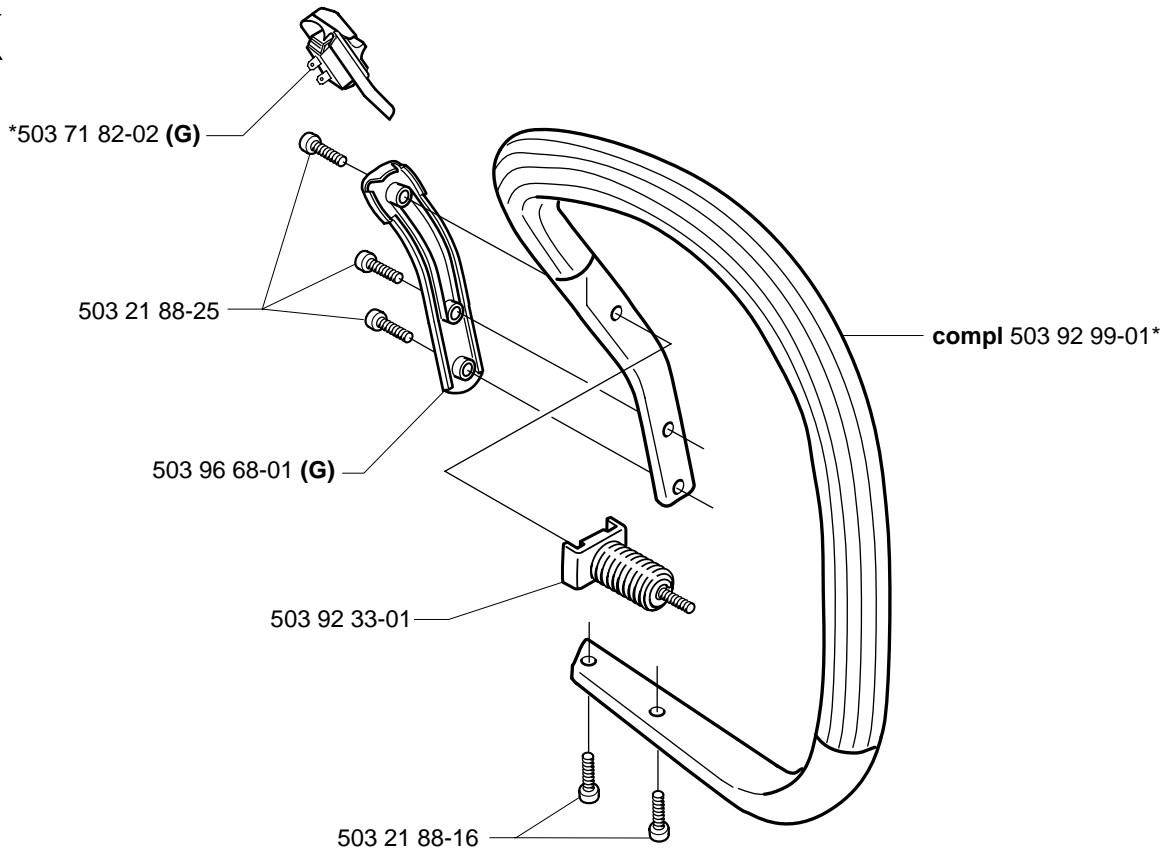
G**H**

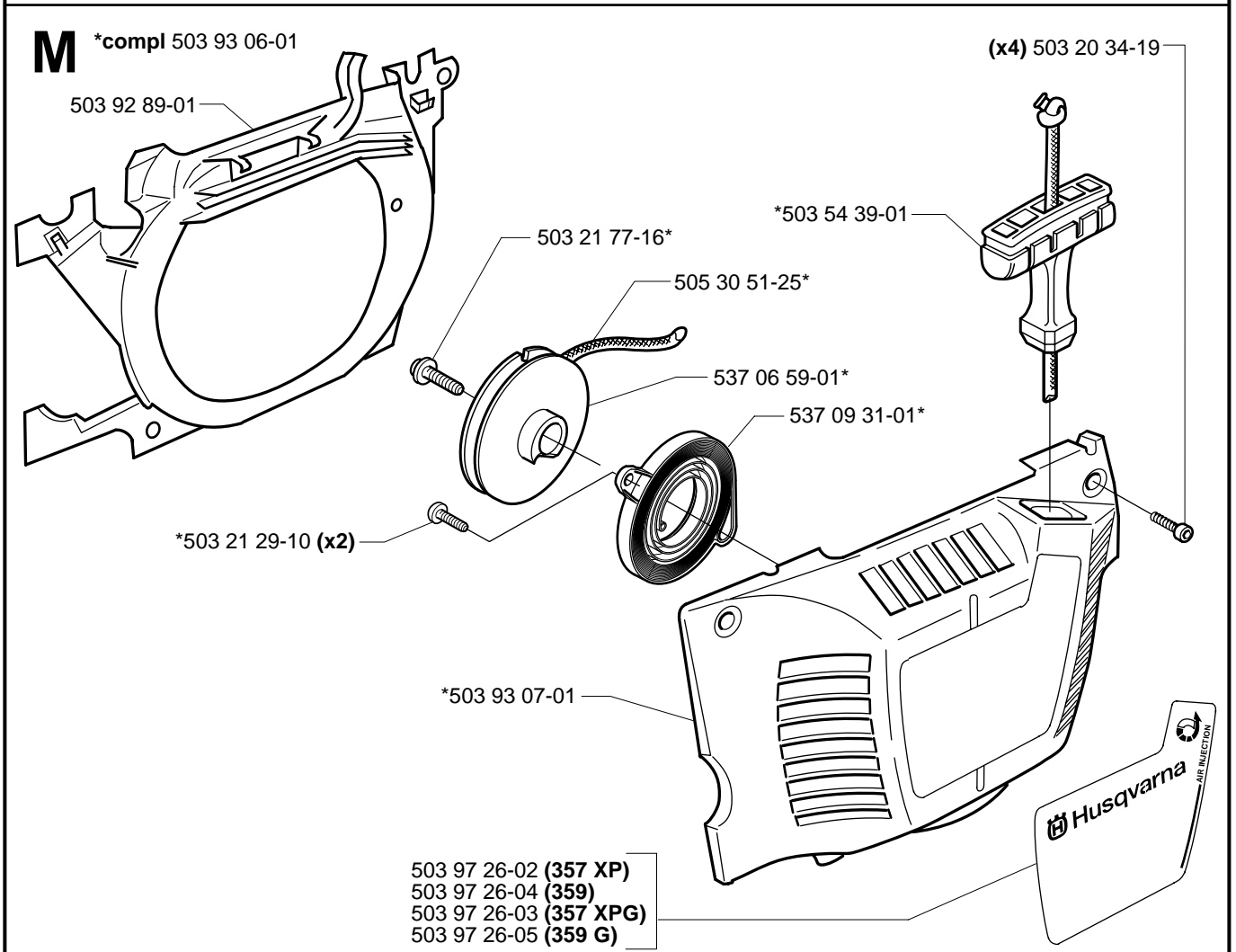
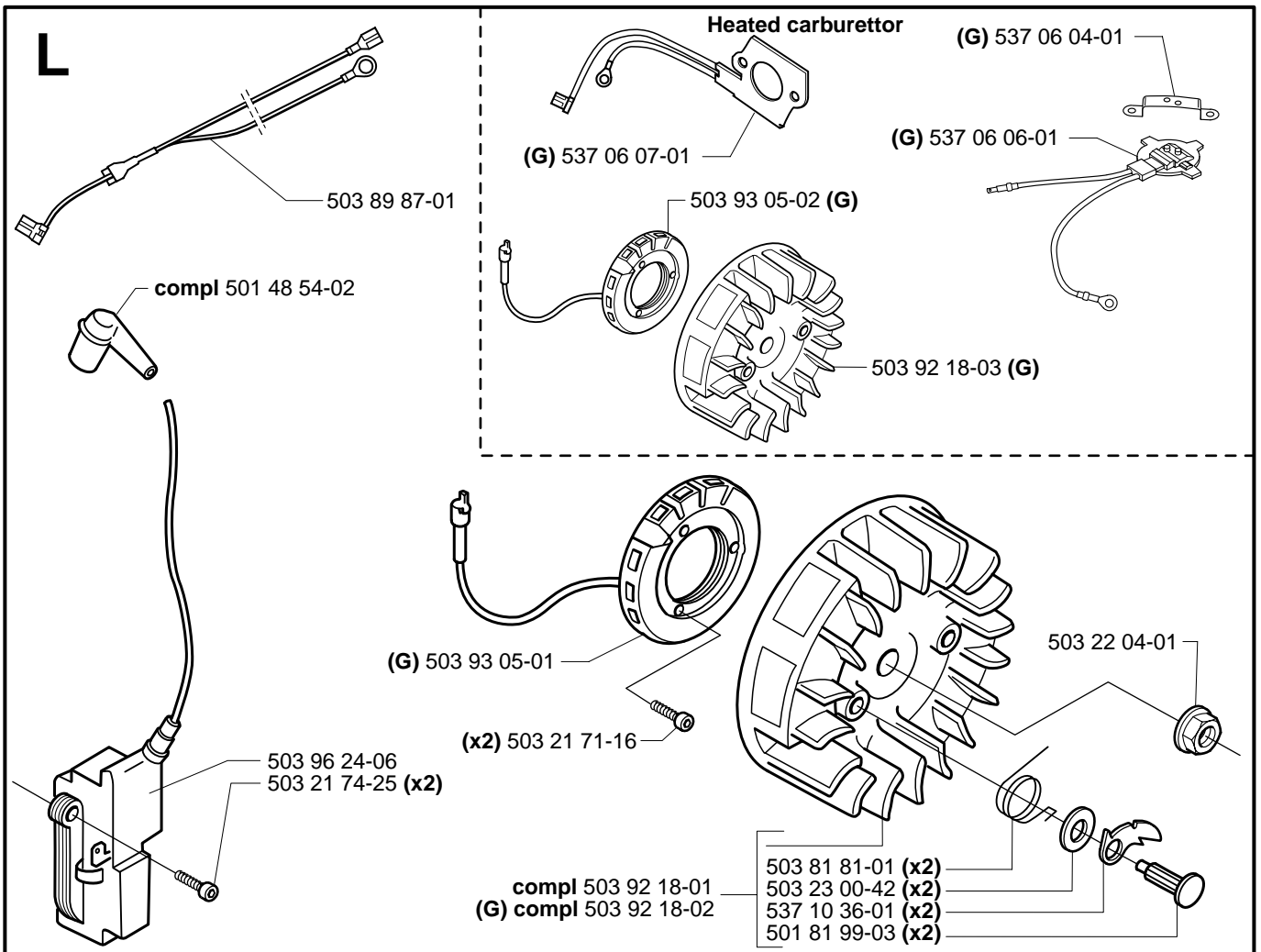
J

*compl 503 92 30-71

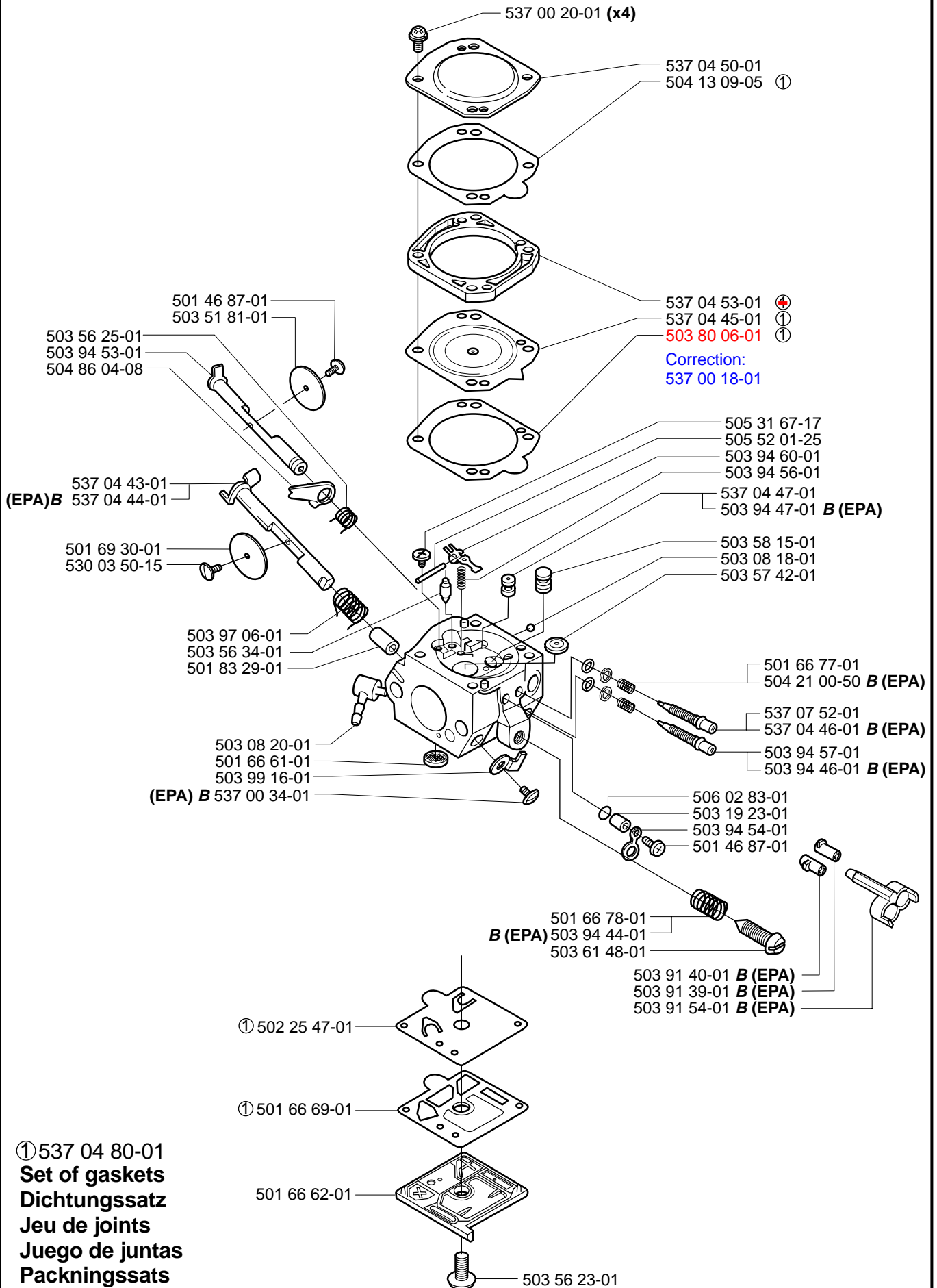


K





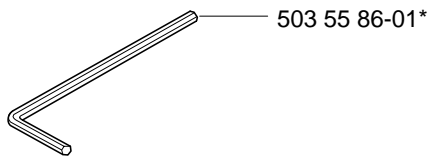
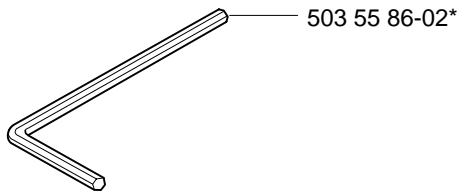
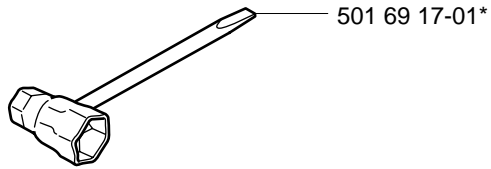
N A compl 503 28 16-15 Walbro HDA 174 357,359
 B compl 503 28 16-16 Walbro HDA 175 357,359 (EPA)



P

*compl 503 55 85-01

Accessories
Zubehöre
Accessories
Accesorios
Tillbehör



*compl 503 97 88-01 WINTER KIT

